

**MICRO SWITCH**  
 FREEPORT ILLINOIS, U.S.A  
 A DIVISION OF HONEYWELL  
 FED. MFG. CODE 91929

**SMALL PRECISION  
 LIMIT SWITCH**

CATALOG LISTING  
**914CE16-6**

914CE16-6

M

DRAWING  
 NUMBER

X

ISSUE  
 3

RELEASE NO. PR-7324 REPLACES

CHECK

REVISIONS

A	CO	51267
	TSK	
5	APR 82	
A	CO	51367
	TSK	
6	APR 82	
B	CO59783	
	CJH	
3	JUL 86	

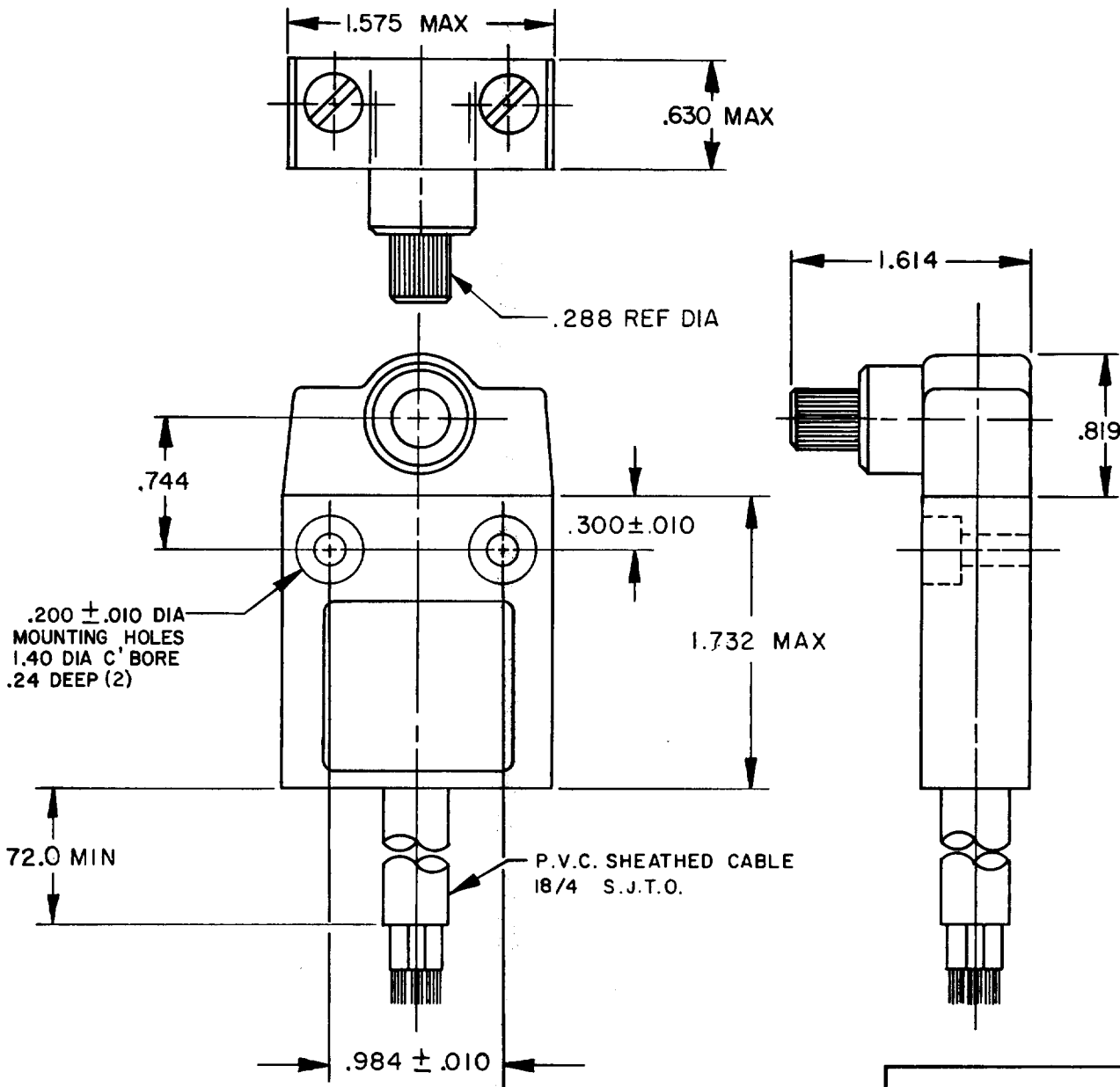
CHECK

9 SEPT 78

C E B

15 AUG 78

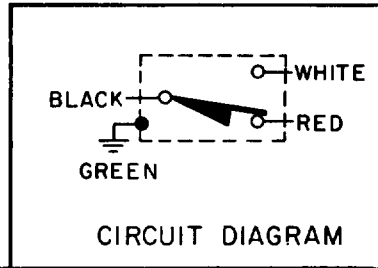
FO-52848-A  
 DRAWN



.200 ± .010 DIA  
 MOUNTING HOLES  
 1.40 DIA C'BORE  
 .24 DEEP (2)

P.V.C. SHEATHED CABLE  
 18/4 S.J.T.O.

NOTE -  
 1 - ZINC HOUSING FINISHED WITH GRAY PAINT  
 2 - SWITCH WILL ACTUATE IN BOTH DIRECTIONS



THIS DRAWING COVERS A PROPRIETARY ITEM AND IS THE PROPERTY OF MICRO SWITCH, A DIVISION OF HONEYWELL. THIS DRAWING IS NOT TO BE COPIED OR USED WITHOUT THE APPROVAL OF MICRO SWITCH.

THIRD ANGLE PROJECTION

**CHARACTERISTICS**

OPERATING FORCE --- 3 IN LB MAX  
 RELEASE FORCE --- 10 IN OZ MAX  
 PRETRAVEL --- 30° MAX  
 DIFFERENTIAL TRAVEL --- 3° MAX  
 OVERTRAVEL --- 40° MIN

**ELECTRICAL DATA**

CONTACT ARRANGEMENT  
 S P D T

UL LISTED - HONEYWELL LTD  
 FILE E41859  
 5A - 250 VAC  
 1/10 HP - 125 OR 250 VAC  
 LR-15775

SCALE FULL

DO NOT SCALE PRINT

TOLERANCES  
 APPLY TO DESIGN UNITS. CONVERSIONS ARE ONLY FOR REFERENCE. UNLESS NOTED, TOLERANCES ARE ±

DIM.	TOL.	DIM.	TOL.
mm	mm/in	in	mm/in
NO PLACES	X	1/64	X X
ONE PLACE	X,X	0.4/016	X X
TWO PLACES	X,XX	0.15/006	X XX
THREE PLACES	X,XXX	0.13/005	X XXX
ANGLES			

DESIGN UNITS  SI METRIC  US CUSTOMARY

WEIGHT